

MADE IN  
FINLAND 



# BFF

## REPTAIL

*Road widener*

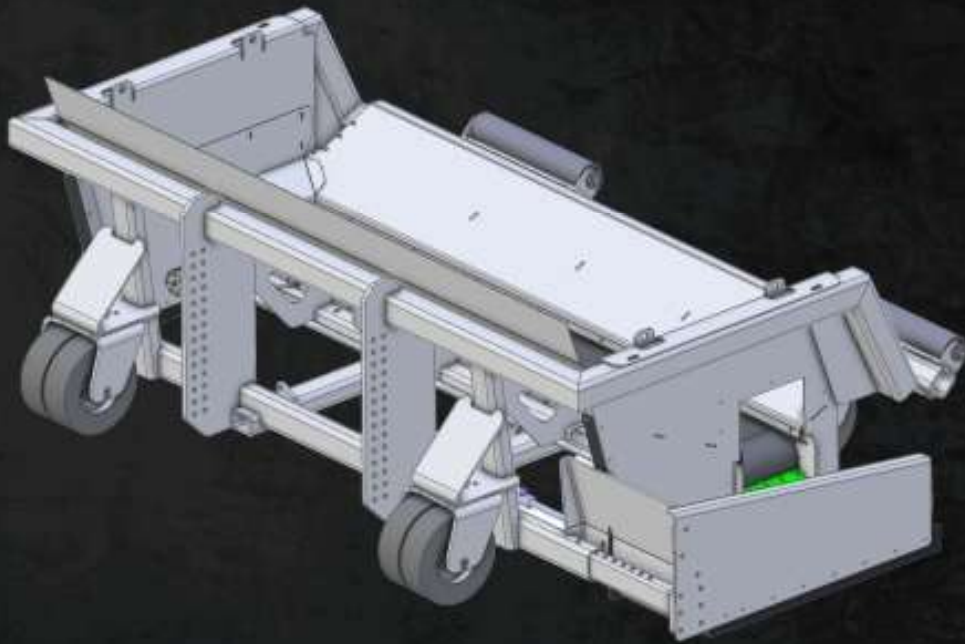


TM

SM

MM

LM



**WITH REPTAIL YOU SAVE  
TIME, MATERIAL AND ENERGY**





# BF

REPTAIL  
Road widener

Roadside lanes | Road widening | Cable trench



**WORKING WEIGHT**

**4500 kg** when attached to SM

**2300 kg** with its own frame



**WORKING THICKNESS**

**Mechanical or Hydraulic**



**WORKING WIDTH**

**10-60 or 10-75 cm**



**STANDARD**

- ✓ Conveyor speed control
- ✓ Direction change



**ACCESSORIES**

- + Automatic feed
- + Cameras
- + Compaction wheel
- + Working width 10-100 cm and 0-250 cm



**COMPATIBLE**

Reptail SM or  
Reptail additional equipment frame

**SALES**  
**REPTAIL OY**

**Pasi Mäntynen**

+358 400 521 631

pasi.mantynen@reptail.fi